



100 V – 50/60 Hz

120 V – 50/60 Hz

230 V – 50/60 Hz

(Available with country specific plug configurations & additional accessories)

Main Applications

Medical Environments

Hospital and Medical office use applications:

- Endoscopy
- Autoclave
- Ventilator (oxygen)
- Medical Rehabilitation
- Oxygen Concentrator

Laboratory Environments

Small labs that do not have access to facility air

- Diagnostics – Flow Cytometry
- Analytical Instruments
- General small lab air use

Industrial Environments

Facilities that need access to small and portable air system

- Small pneumatic tool operation
- Portable Air unit

Powerful & Quiet Performance

- 120 PSI / 8 bar capability
- 2.8 cfm / 77 lpm max air flow
- Dual Sound isolation chambers
- As low as 46 dB(A) utilizing optimized component positioning
- Silenced drain line

Design, Durability, & Safety

- Designed with space limitations in mind
- Multiple mounting configurations
- Optimized cooling configuration
- 15000+ hours of life
- 2 year warranty / 5 year tank warranty
- Triple thermal electrical protection
- No water bottle – Evaporator Tray
- Simple Interface with maintenance Indication

Factory Supported

- Global service and support
- Technical guidance

Regulatory Compliance

- RoHS compliant
- UL 1450, 4th edition
- UL 60601 for medical applications if required
- 2006 / 95 / EC Directive
- CSA 22.2 68



Features

- 100% oil free
- 100% duty cycle
- Super quiet – as low as 46 dB(A)
- Pressure up to 120 PSI/8 bar
- Long-life, 2-year warranty
- 15000+ hours cup life at 8bar
- Easy to use
- Plug & play
- Rubber feet and casters included

Description

- 5µm filter with autodrain
- Pressure regulator
- Automatic drain system with evaporation tray
- Hour run meter
- Receiver with internal coating and 5-year warranty

Certifications



- UL 1450
- cUL (CAN ISCA C22.2, No. 68-09)
- CE (97/23/EC, 2004/108/EC, 2006/95/EC, 2011/65/EU)

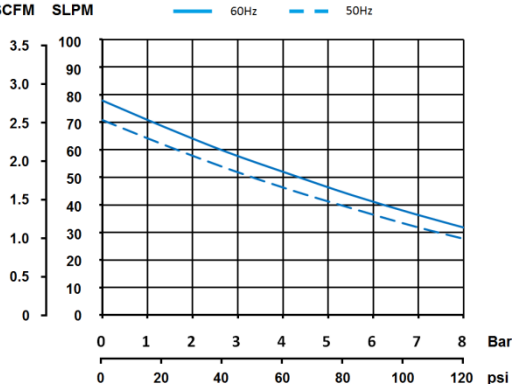
Product Specifications

Model	87R-4P							
Voltage	V	1x100		1x120		1x230		
Frequency	Hz	50	60	50	60	50	60	
Motor	HP	0.6	0.74	0.67	0.8	0.74	0.87	
	kW	0.45	0.55	0.5	0.6	0.55	0.65	
Air flow @ 0 bar / 0 psi	l/min	71	77	71	77	71	77	
	cfm	2.75	2.5	2.75	2.5	2.75	2.5	
Air flow @ 8 bar / 120 psi	l/min	27	31	27	31	27	31	
	cfm	0.95	1.1	0.95	1.1	0.95	1.1	
Max. pressure	bar	8	8	8	8	8	8	
	PSI	120	120	120	120	120	120	
Max. current	Amps	5	5.8	4.8	5.3	2.6	2.9	
Receiver volume	litres	4		4		4		
	gallon	1.05		1.05		1.05		
Weight	kg	29.5		29.5		29.5		
	lbs	65		65		65		
Noise level	dB(A)/1m	46	48	46	48	46	48	
Thermal protection		Yes		Yes		Yes		
Duty cycle		100%		100%		100%		

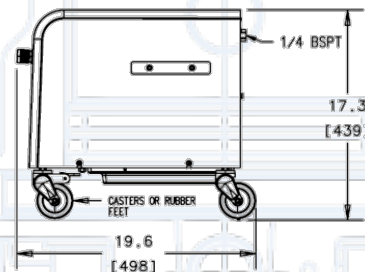
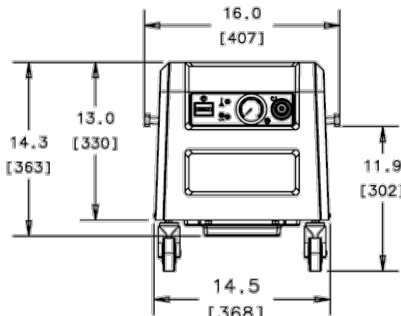


Air Flow

SCFM SLPM



Product Dimensions



*for unit without accessories or options